

DO NOT SCALE FROM THIS PRINT

TAIL STYLE	"A"	"B" MAX
-01	.045 [1.14]	.755 [19.18]
-02	.075 [1.91]	.725 [18.42]
-04	.090 [2.29]	.710 [18.03]

TERMINAL	"C"	ROW OPTION
T-1S15-10-XX	.401 [10.19] - .750 [19.05]	D
T-1S15-03-XX	.401 [10.19] - .750 [19.05]	S
T-1S15-04-XX	.170 [4.32] - .400 [10.16]	D,S
T-1S15-05-XX	.751 [19.08] - .800 [20.32]	D,S

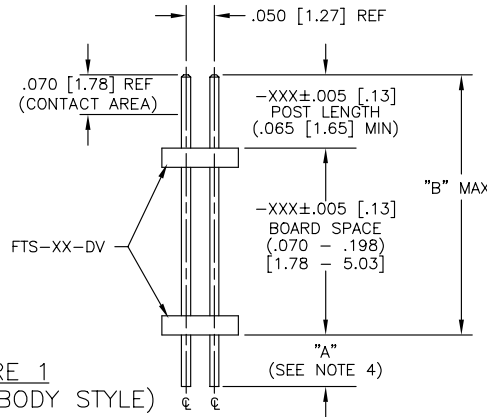
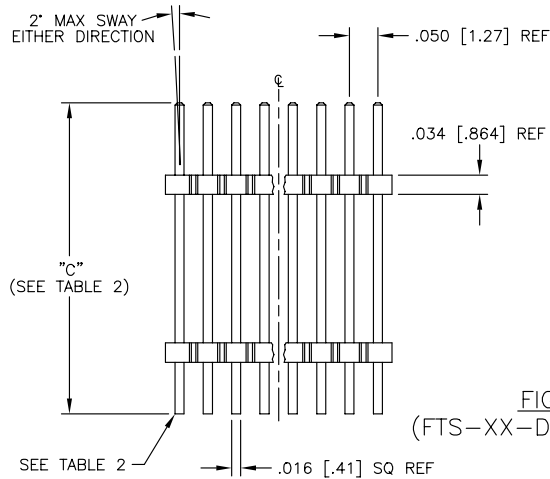
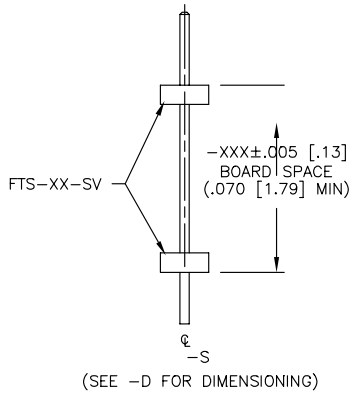
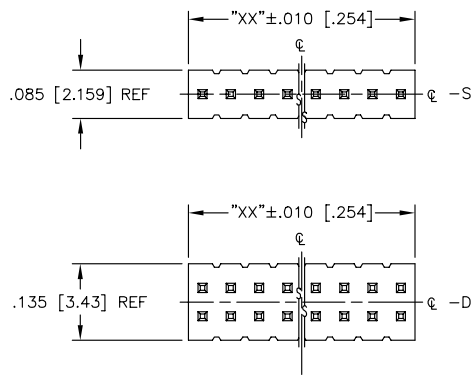


FIGURE 1 (FTS-XX-DV BODY STYLE)

NOTES:

1. MAX ALLOWABLE BOW: .003 IN/IN AFTER ASSEMBLY.
2. PUSHOUT FORCE SHALL BE .5 LB MIN. ON BOARD STYLE .070-.198 AND 1 LB MIN ON BOARD STYLE .199-.690
3. GOLD AREA TO APPEAR ON POST.
4. TAILS SHEARED TO DIMENSIONS SHOWN.
5. LAYER PACKAGE POSITIONS 2 - 10. TUBE PACKAGE POSITIONS 11 - 50.
6. AVAILABLE ONLY W/BOARD SPACE .215 TO .610
7. "B" = POST DIMENSION + BOARD SPACE.

BOARD STYLE	BODY STYLE	FIG.
.070 - .198	FTS-XX-DV	1
.199 - .690	FTSH-XX-D	2 (SEE SHEET 2)

\* THIS TABLE APPLIES TO DOUBLE ROW ASSEMBLIES ONLY. ALL SINGLE ROW ASSEMBLIES USE FTS-XX-SV

DIMENSIONS ARE IN INCHES UNLESS OTHERWISE NOTED TOLERANCES ARE: ONE PLACE DECIMALS ±.1[2.54] THREE PLACE DECIMALS ±.005[.13] ANGLES ±5° TWO PLACE DECIMALS ±.01[.25] FOUR PLACE DECIMALS ±.0020[.05]

TITLE: .050 x .050 THROUGH-HOLE BOARD SPACERS DWG NO: FW-XX-XX-XX-X-XXX-XXX-XX SHEET 1 OF 2

FW-XX-XX-XX-X-XXX-XXX-XX

POSITION SPEC  
No OF POS PER ROW  
-02 THRU -50  
"XX"= No OF POS x .050 [1.27]  
TERMINAL

TAIL STYLE  
SEE TABLE 1  
(SEE TABLE 2 FOR TERMINAL PIN)

PLATING  
-L: LIGHT SELECTIVE (USE T-1S15-XX-L)  
-F: FLASH GOLD (USE T-1S15-XX-F)  
-G: GOLD (OVER ENTIRE PIN) (USE T-1S15-XX-G)  
-H: HEAVY GOLD (USE T-1S15-XX-H)  
-LM: LIGHT SELECTIVE GOLD, MATTE TIN TAIL (USE T-1S15-XX-L)  
-FM: FLASH SELECTIVE GOLD, MATTE TIN TAIL (USE T-1S15-XX-F)

OPTION  
-ES: END SHROUDS (SEE FIG. 4, SHT 2) (9 POS PER ROW MIN) (MAX POST: .075 [1.91]) (SEE NOTE 6)  
-EP: GUIDE POST (FIG. 3, SHT 2) (9 POS PER ROW MIN) (MAX POST: .075 [1.91]) (USE ONLY WHEN MATING WITH CLP) (SEE NOTE 6)  
POST LENGTH  
-XXX±.005 [.13] .065 [1.65] MIN.

BOARD SPACE  
-XXX±.005 [.13] (.070 [1.78] MIN.) SEE TABLE 1 FOR MAX.

ROW OPTION  
-D: DOUBLE (SEE TABLE 3)  
-S: SINGLE (USE 2 FTS-50-SV)

DO NOT DESIGN -S: SINGLE ROW IN!!  
SAMTEC WILL ONLY SUPPORT EXISTING BUSINESS AS OF 10/17/97.

LEAD STYLE	OPTIONS	"C" DIMENSION	PACKAGING TUBE	PLUG
-01	NONE	.150 - .300	PT-1-24-01-43	TP-24
-01	NONE	.301 - .500	PT-4-24-02-01	TP-09
-01	NONE	.501 - .750	PT-1-24-02-48	TP-07
-01	NONE	.751 - .800	PT-1-24-01-34	TP-07
-01	-EP, -ES	.308 - .800	PT-1-24-14-29	TP-03
-02	NONE	.190 - .310	PT-1-24-11-09	TP-09
-02	NONE	.311 - .510	PT-1-24-06-03	TP-07
-02	NONE	.511 - .750	PT-1-24-02-48	TP-07
-02	NONE	.751 - .800	PT-1-24-01-34	TP-07
-02	-EP, -ES	.338 - .400	PT-1-24-02-48	TP-07
-02	-EP, -ES	.401 - .500	PT-1-24-13-29	TP-03
-02	-EP, -ES	.501 - .800	PT-1-24-05-29	TP-03
-04	NONE	.150 - .390	PT-1-24-06-17	TP-24
-04	NONE	.391 - .500	PT-4-24-02-01	TP-09
-04	NONE	.501 - .750	PT-1-24-02-48	TP-07
-04	NONE	.751 - .800	PT-1-24-01-34	TP-07
-04	-ES	.353 - .540	PT-1-24-06-29	TP-09
-04	-ES	.541 - .695	PT-1-24-16-29	TP-07
-04	-EP	.353 - .480	PT-1-24-13-29	TP-03
-04	-EP	.481 - .695	PT-1-24-11-29	TP-07
-04	-EP, -ES	.696 - .800	PT-1-24-05-29	TP-03

PROPRIETARY NOTE  
THIS DOCUMENT CONTAINS INFORMATION CONFIDENTIAL AND PROPRIETARY TO SAMTEC INC. AND SHALL NOT BE REPRODUCED OR TRANSMITTED IN ANY FORM OR BY ANY MEANS, ELECTRONIC OR MECHANICAL, INCLUDING PHOTOCOPYING, RECORDING, OR BY ANY INFORMATION STORAGE AND RETRIEVAL SYSTEM, WITHOUT THE WRITTEN CONSENT OF SAMTEC INC.

MATERIAL:  
FTM-50-D &  
FTSH-50-D  
VECTOR E130  
COLOR: BLACK  
FW-50-D  
ZENITE 6130L  
COLOR: NATURAL  
TERMINAL:  
PHOS BRONZE  
MAX FLASH ALLOWED:  
.002 [.05]  
MAX GATE VESTIGE  
ALLOWED: .002 [.05]

EXISPROD\ASSEMBLY\050  
FW-ASM

**samtec**

520 PARK EAST BLVD. NEW ALBANY, INDIANA 47150  
PHONE (812) 944-6733 P.O. BOX 1147  
CODE 55322

MADE BY: BRATCHER 4-8-94

FW-XX-XX-XX-X-XXX-XXX-XX  
SHEET 1 OF 2